


PRODUCT SHEET

Description:

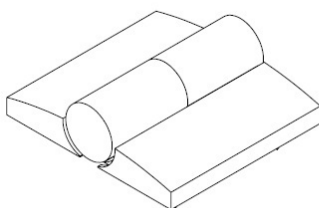
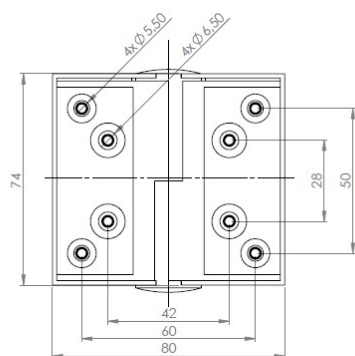
Toilet Cubicle Fit, White, PP, Right, Leg 115-135mm, Consist off 2 Handles, 1 Hook, 1 Lock, 12 Angle Brackets, 2 Hinges, & 2 Stands, F/12-18mm Panels, F/Right Hand Doors

Item number:

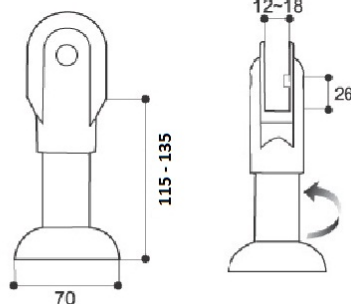
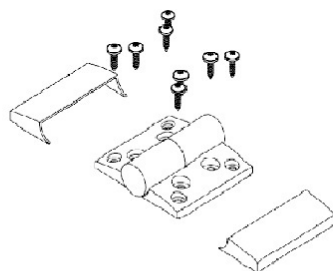
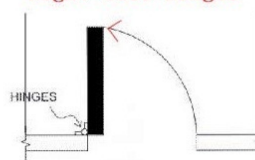
22.23.052-1

Units	Box	Carton	HS Code	Barcode
Set	1	20	3925901000	

5704866437950



Right side hinges



SISO A/S

Mileparken 11
DK-2740 Skovlunde
Denmark
VAT: DK 24786013

Phone +45 45 830 900

www.siso.dk
siso@siso.dk

Danske Bank
Nytorv Branch
Copenhagen
SWIFT: DABADKKK

Account no.
4180 3112 112936
IBAN Account
DK7230003112112936